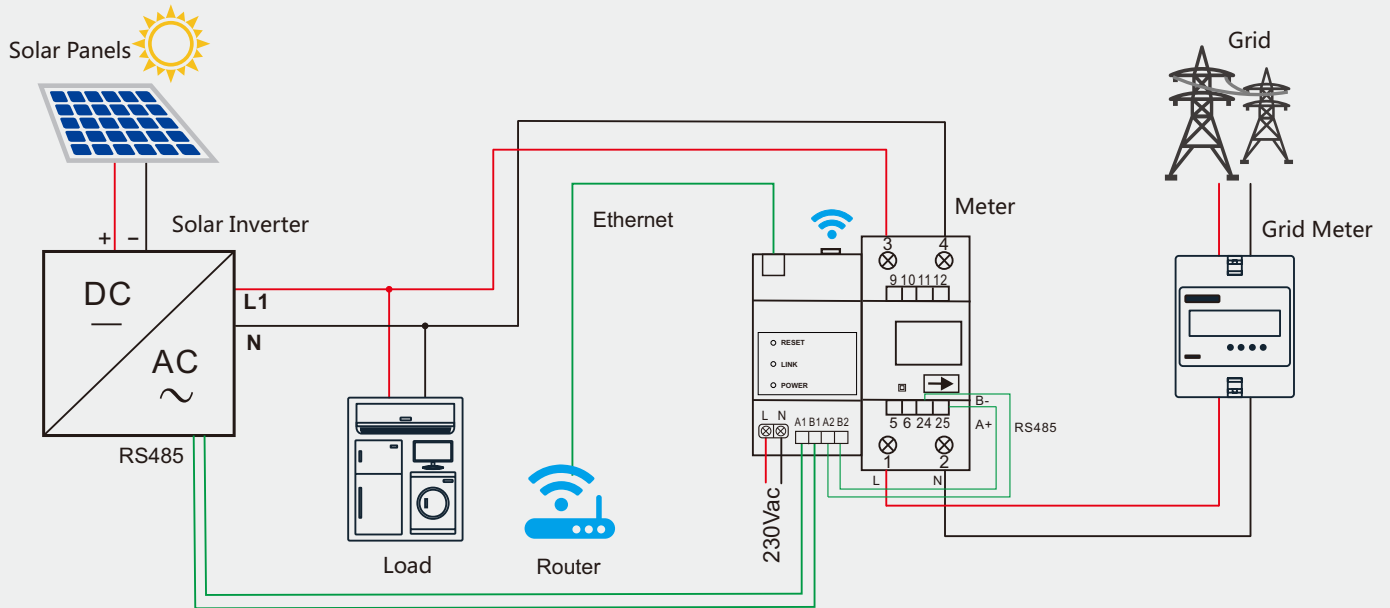




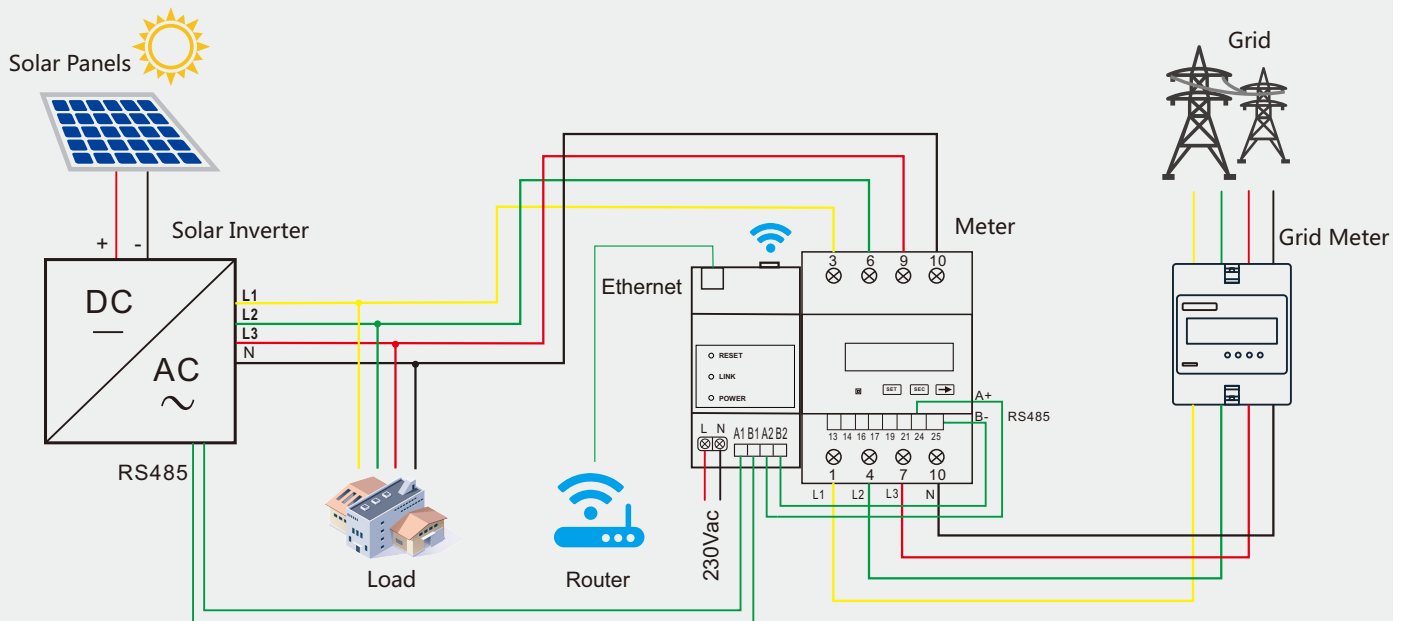
LOAD MONITORING

The Solution includes eSolar SEC, Smart meter, eSolar Portal and App. Smart meter collects the data of exporting power to the grid and importing power from the grid; eSolar SEC uploads the data of smart meter and solar inverter to eSolar sever via WiFi or Ethernet. Customer can easily access to data of solar generation and load consumption.

• System of Single Phase



• System of Three Phase





Bluetooth / Wi-Fi / Ethernet
Connection Diversified



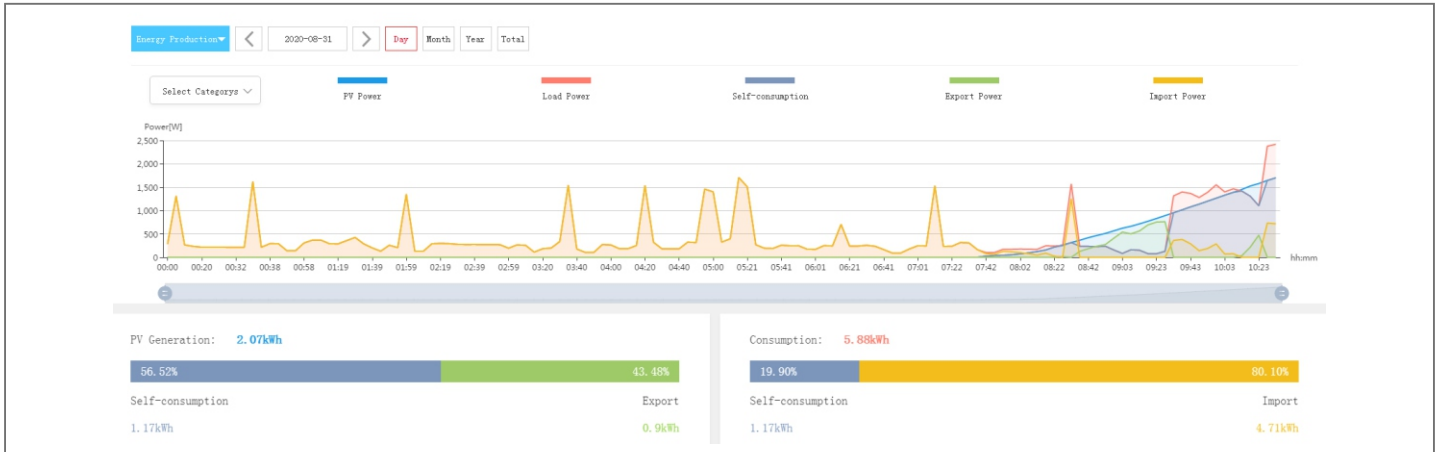
Rail Mount
Standardly



Web / App
Access Easily



Mono/Three
Phase Available



Type	SEC Kit S80	SEC Kit T80	SEC Kit T250
Application		Home Load Monitoring	
Communication Interface		WiFi / LAN / Bluetooth / RS485	
Data Collection Interval [min]		1~30 [Optional], 10 [Standard]	
Firmware Update Method		Serial Port / Remote	
Access Data Method		APP / Web / Sever	
Status Display		LED	
Electric Parameters			
Input Voltage		100-240Vac	
Input Frequency		50/60Hz	
Static Power [W]		<0.8	
Max. Instantaneous Power [W]		<5	
Enviromental Parameter			
Operating Temperature Range		-25°C~+60°C	
Storage Temperature Range		-30°C~+70°C	
Dimensions (H*W*D) [mm]		84.4*36*65.5	
Weight [g]		600	
Ingress Protection		IP20	
Others			
Mounting		Rail	
Warranty [year]		2	
Certification		CE ROHs	
Component	SEC, DDSU666 (80A)	SEC, DTSU666 (80A)	SEC, DTSU666 (250A)
Inverter Compatility	R5	R5	Suntrio Plus

