

# SMALL-SCALE C&I ESS SOLUTION

## DEYE SUMMER BOS SERIES



### 19-Inch Embedded Design

- Comfortable for installation



### High-Efficiency Use

- Low self-discharge for 6 months
- No memory effect



### Intelligent Control

- Over-discharge/charge/current protection
- Over-high or low temperature protection



### Battery Protection

- Auto charge and discharge
- Cell voltage balancing



### Flexible Expansion

- Support 3 ~ 12 packs in series



### Upgrade Options

- Support USB and Wi-Fi (optional) upgrades
- Support remote upgrades

≥6000

Cycles

Wide  
Temperature

-20°C to 55°C

70%

EOL

10 years

Warranty for long-term  
peace of mind





# Rack-Mounted Battery (HV)

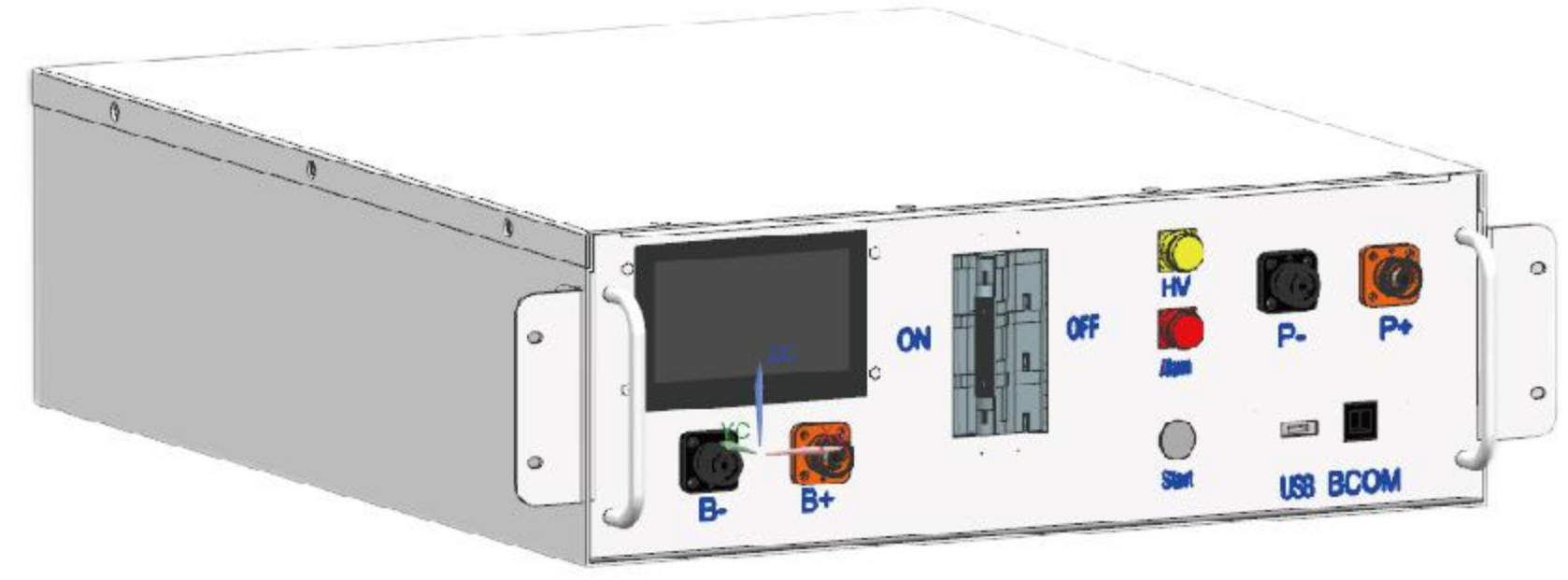
Model		BOS-GX ( X=3, 4, 5, 6, 7, 8, 9, 10, 11, 12 )									
<b>Main Parameter</b>											
Cell Chemistry		LiFePO <sub>4</sub>									
Module Energy ( kWh )		5.12									
Module Nominal Voltage ( V )		51.2									
Module Capacity ( Ah )		100									
Battery Module Number		BOS-G15	BOS-G20	BOS-G25	BOS-G30	BOS-G35	BOS-G40	BOS-G45	BOS-G50	BOS-G55	BOS-G60
Battery Module Qty In Series ( Optional )		3	4	5	6	7	8	9	10	11	12
System Nominal Voltage ( V )		153.6	204.8	256	307.2	358.4	409.6	460.8	512	563.2	614.4
System Operating Voltage ( V )		124.8~ 175.2	166.4~ 233.6	208~ 292	249.6~ 350.4	291.2~ 408.8	332.8~ 467.2	374.4~ 525.6	416~ 584	457.6~ 642.4	499.2~ 700
System Energy ( kWh )		15.36	20.48	25.6	30.72	35.84	40.96	46.08	51.2	56.32	61.44
System Usable Energy ( kWh )		13.82	18.43	23.04	27.64	32.25	36.86	41.47	46.08	50.68	55.29
Rted DC Power		15.36	20.48	25.6	30.72	35.84	40.96	46.08	51.2	56.32	61.44
Charge / Discharge <sup>2</sup>		Recommend									
Current ( A )		Nominal									
		Peak Discharge ( 2 mins, 25°C )									
Working Temperature ( °C )		Charge : 0 ~ 55 / Discharge : -20~55									
Status Indicator		Yellow : Battery High Voltage Power On Red : Battery System Alarm									
Communication Port		CAN2.0 / RS485									
Humidity		5% ~ 85%RH									
Altitude		≤2000m									
IP Rating of Enclosure		IP20									
Dimension ( W × D × H, mm )		530 × 602 × 1629					530 × 602 × 2187				
Weight Approximate ( kg )		388					562				
Installation Location		Rack Mounting									
Storage Temperature ( °C )		0 ~ 35									
Recommend Depth of Discharge		90%									
Cycle Life		25±2°C, 0.5C/0.5C, EOL70%≥6000									
Warranty <sup>3</sup>		10 years									
Certificatio		CE / IEC62619 / VDE2510-50 / UL1973 / UL9540A / UN38.3									

1. DC Usable Energy, test conditions : 90% DOD, 0.2C charge & discharge at 25°C. System usable energy may vary due to system configuration parameters.
2. The current is affected by temperature and SOC.
3. The warranty is due whichever reached first of warranty period or life cycle power.
4. Made in China.



Model	Description
-------	-------------

<b>HVB750V / 100A-EU</b>	High Voltage Battery cluster control box conforming to European or British Standards
<p>Operating Voltage Nominal Charge / Discharge Current Max.Charge / Discharge Current DC Input Rating Operating Temperature Range Ingress Protection Dimension ( W × D × H ) Weight Approximate</p>	<p>120 ~ 750Vdc 100A 125A 12±2%V/4.15A -20 ~ 65°C IP20 440 × 570 × 150mm 19kg</p>



<b>HVB750V/100A-US</b>	High Voltage Battery cluster control box conforming to North American Standard
<p>Operating Voltage Nominal Charge / Discharge Current Max.Charge / Discharge Current DC Input Rating Operating Temperature Range Ingress Protection Dimension ( W × D × H ) Weight Approximate</p>	<p>120 ~ 750Vdc 100A 125A 12±2%V / 4.15A -20 ~ 65°C IP20 440 × 570 × 150mm 20kg</p>



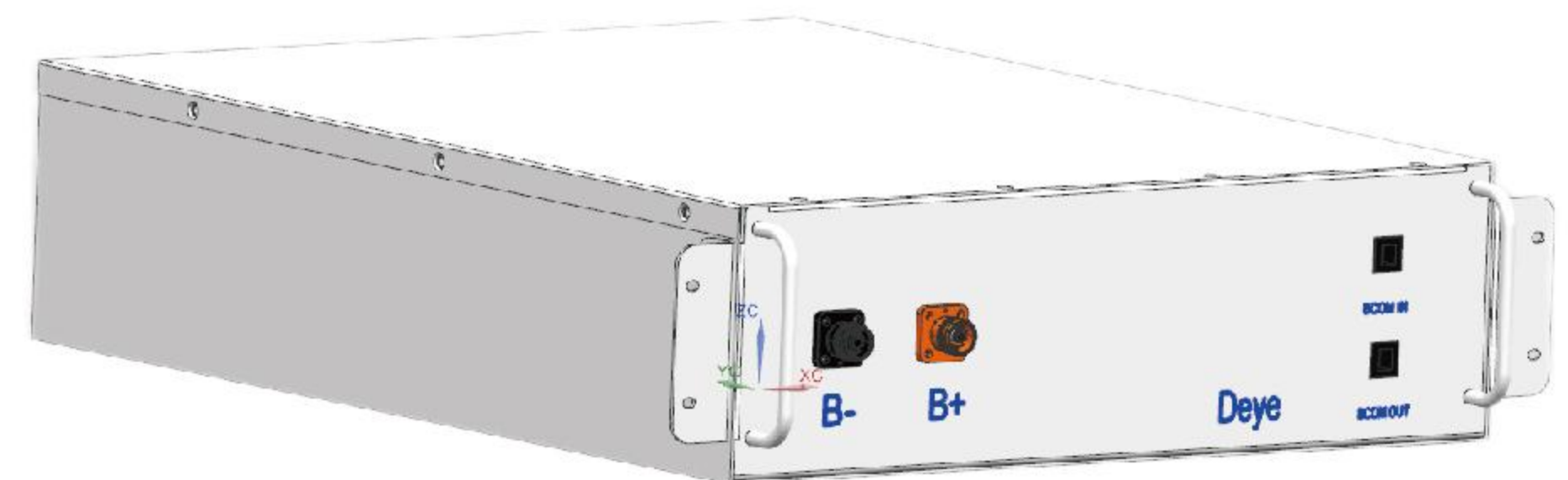
High voltage box Standard configuration :

- ① 120 ohm terminal resistance
- ② 140mm communication cable
- ③ 220mm power cable
- ④ 1.5m power cable ( US Version )  
2.1m power cable ( EU Version )
- ⑤ Power plug



<b>BOS-GM5.1</b>	5.12 kwh battery module
------------------	-------------------------

<p>Battery Type Nominal Voltage Rated Capacity Rated Energy Nominal Charge / Discharge Current Peak.Discharge Current Charge Temperature Discharge Temperature Storage Temperature Ingress Protection Dimension ( W × D × H ) Weight Approximate</p>	<p>LiFePO<sub>4</sub> ( LFP ) 51.2Vdc 100Ah 5.12kWh 100A 125A 0 ~ 55°C -20°C ~ 55°C 0°C ~ 35°C IP20 440 × 570 × 133mm 45kg</p>
--	--



Battery module Standard configuration:

- ① 110mm communication cable
- ② 200mm power cable



<b>EPcable5.0 ( Optional )</b>	Standard 5-meter power cable connected to the positive pole of the external PCS
--------------------------------	---


1000V / 4AWG cable	
--------------------	---


<b>ENCable5.0 ( Optional )</b>	Standard 5-meter power cable connected to the negative pole of the external PCS
--------------------------------	---

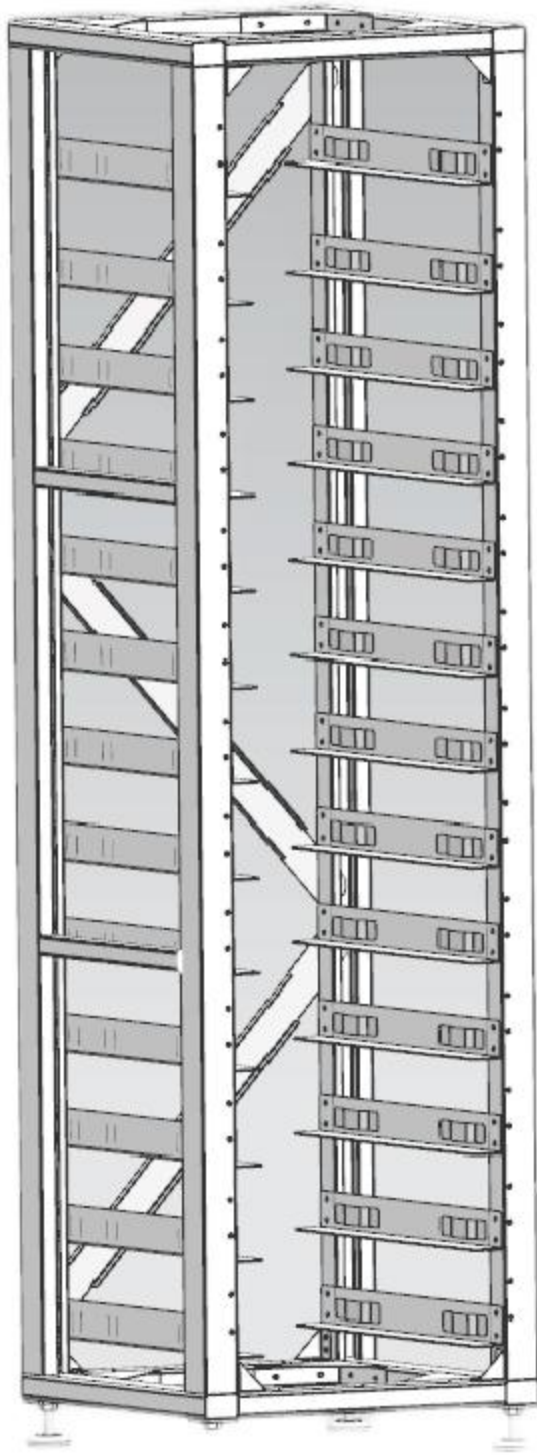
1000V / 4AWG cable	
--------------------	---



Model	Description
-------	-------------

<p><b>EPWR Cable5.0 ( Optional )</b></p>	<p>Standard 5-meter cable connected to external 12VDC power supply</p> 
--	---

<p><b>ECOM Cable5.0 ( Optional )</b></p>	<p>Standard 5-meter communication cable connected to the external device</p> 
--	--

<p><b>3U-HRACK ( Optional )</b></p> <p>Dimension ( W × D × H ) Weight Approximate</p>	<p>Standard 19inch rack, caninstall 12 pcs batteries and 1 pcs High Voltage Battery cluster control box</p> <p>530 × 602 × 2187mm 51kg</p> 
---	--

<p><b>3U-LRACK ( Optional )</b></p> <p>Dimension ( W × D × H ) Weight Approximate</p>	<p>Standard 19inch rack, caninstall 8 pcs batteries and 1 pcs High Voltage Battery cluster control box</p> <p>530 × 602 × 1629mm 41kg</p> 
---	---

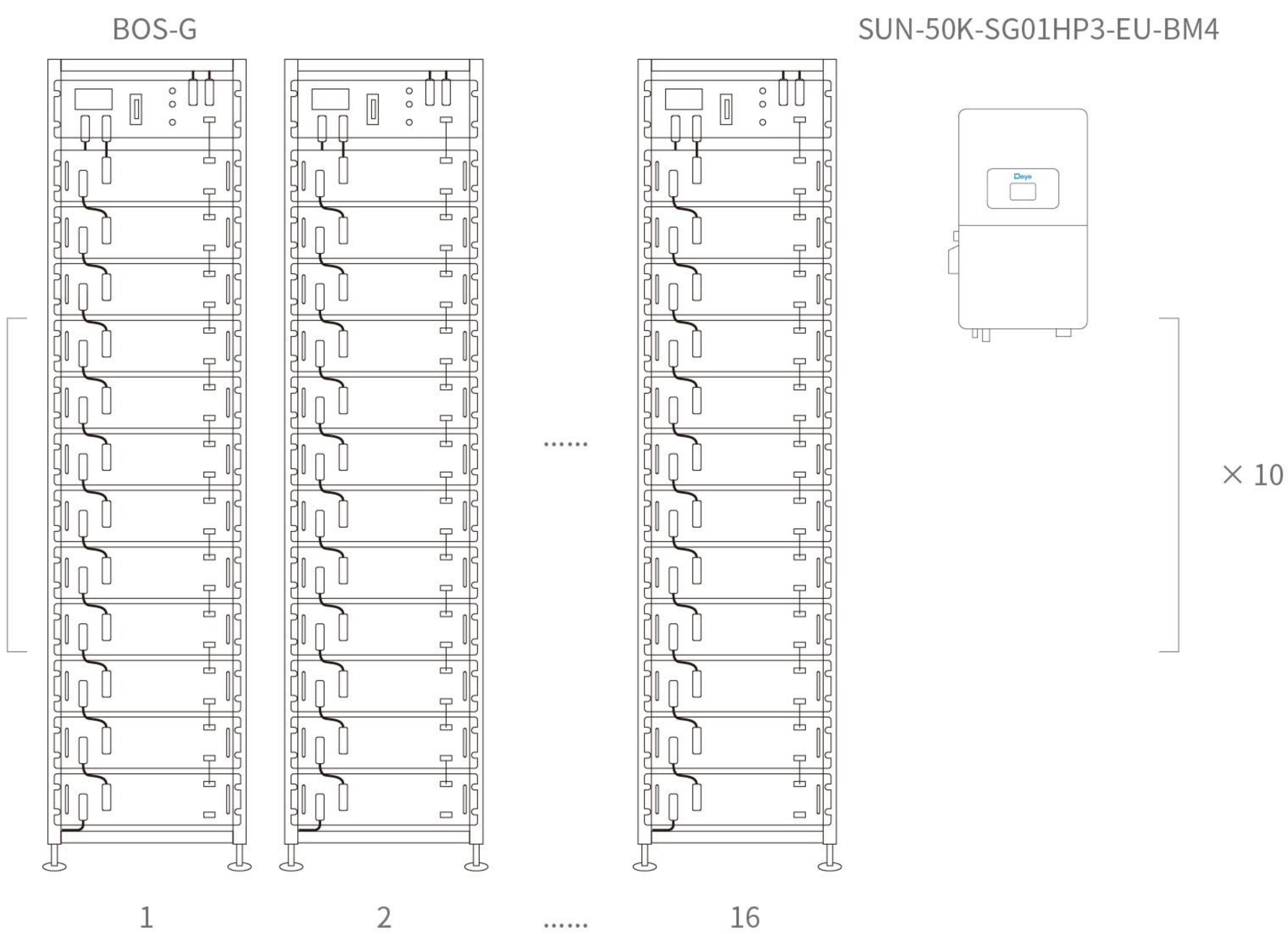


## Product Expansion

Battery backup time	BOS-G			
	1h	2h	3h	4h
Inverter				
SUN-30K-SG01HP3-EU-BM3	6 units	12 units	9 units × 2	12 units × 2
SUN-50K-SG01HP3-EU-BM4	10 units	10 units × 2	10 units × 3	10 units × 4



Maximum support for 16 racks of batteries in parallel



Maximum support for 10 inverters in AC parallel operation





# *To Make ESS Better*



Deye ESS Facebook



Deye ESS



[www.deyeess.com](http://www.deyeess.com)